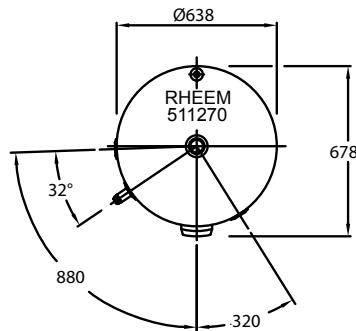
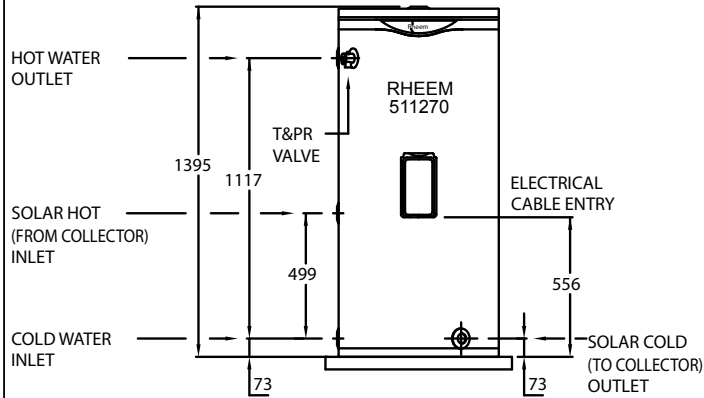


**INDOOR AND OUTDOOR MODEL**



**NOTES:**

- N1. SOLAR COLLECTORS MUST BE INSTALLED  
 - ORIENTATED TOWARD THE EQUATOR  
 - WITH AN ANGLE OF INCLINATION EQUAL TO THE LOCAL LATITUDE ANGLE, BUT NOT LESS THAN 10°.  
 - IN A POSITION FREE OF SHADE.
- N2. A MINIMUM OF 900mm SHOULD BE LEFT IN FRONT OF THE SOLAR STORAGE TANK FOR ACCESS, SERVICING AND SOLAR STORAGE TANK REMOVAL.

**PIPE LENGTHS:**

The maximum recommended combined length of the solar cold and solar hot pipes between the solar storage tank and solar collectors with bends is:

Pipe size	Maximum recommended pipe length and number of 90° bends *			
	1 or 2 Collectors		3 Collectors	
	Pipe Length	90° Bends	Pipe Length	90° Bends
DN15	40 metres	20	30 metres	20
DN20	NR	NR	40 metres	20

- \* For each additional 90° bend, reduce the maximum total pipe length by 0.5 metres.
- \* For each additional metre of pipe length, reduce the number of 90° bends by two.
- \* Note: One 90° elbow is equal to two 90° bends.

**LEGEND**

- STOP COCK
- NON RETURN VALVE
- DUAL CHECK VALVE
- PRESSURE LIMITING VALVE (IF REQUIRED)
- COLD WATER RELIEF VALVE (IF REQUIRED)
- UNION
- CIRCULATOR
- SOLAR NON RETURN VALVE
- BLEED VALVE
- DIRECTION OF FLOW
- TUNDISH

HOT WATER CONNECTION:- RP 3/4"/20.

COLD WATER CONNECTION:- RP 3/4"/20.

SOLAR HOT (FROM COLLECTOR) CONNECTION:-  
 DN15 COMPRESSION FITTING.  
 (SOLAR HOT WATER INLET TO TANK: RP 3/4"/20).

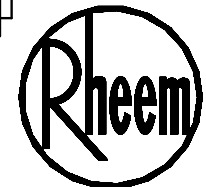
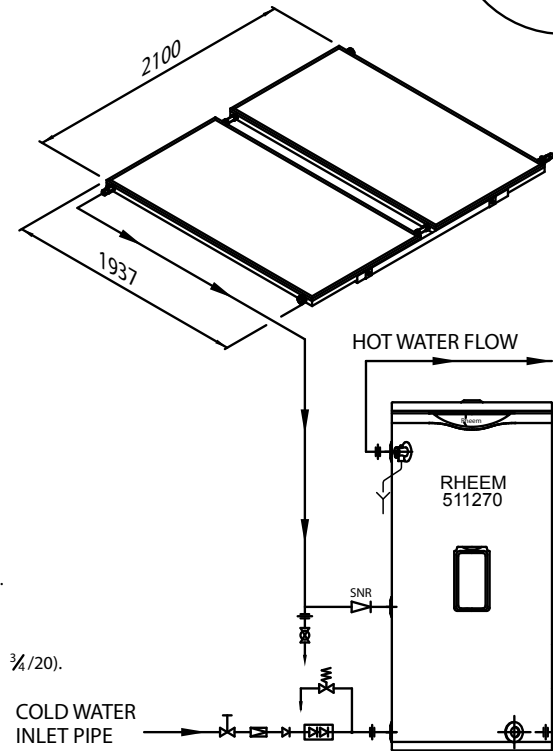
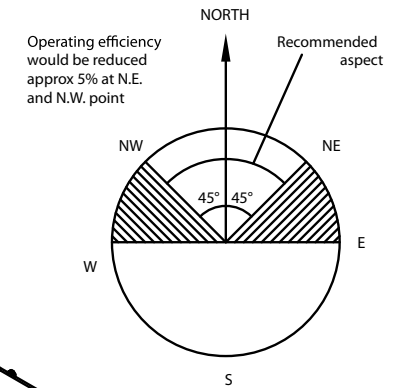
SOLAR COLD (TO COLLECTOR) CONNECTION:-  
 DN15 COMPRESSION FITTING.  
 (SOLAR COLD WATER OUTLET FROM TANK: RP 3/4"/20).

T&PR VALVE CONNECTION:- RP 1/2"/15.

STORAGE VOLUME:- 270 LITRES.

BOOST VOLUME:- 160 LITRES.

**Solar Water Heater Aspect Southern Hemisphere**



**RHEEM WATER HEATERS  
 SOLAR LOLINE ELECTRIC BOOST 511270  
 (WITH 2xNPT 200 SOLAR COLLECTORS)**